

# MMS-10 series

[Absolute]

- Φ13mm×H15.5mm
- Resolution 1024, SSI Interface

NEW



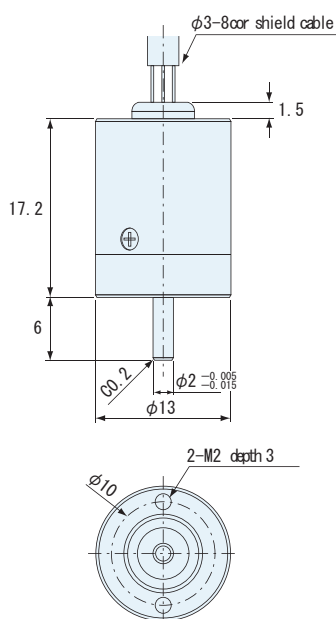
## Specifications

Item	Type name	MMS-10 -1024G1
Summy voltage		DC5V ±5%
Current consumption		50mA or less (under no load)
Resolution		1024, 512, 360, 256
Maximum revolutions		6000rpm
Allowable load of Shaft (electrical)	Radial	1.9N (200gf)
	Thrust	1.9N (200gf)
Working temperature/humidity		-10° C~+70° C/RH35%~90%
Storage temperature		-20° C~+80° C
Vibration resistance		Durability 55Hz double amplitude 1.5mm 2 hours each in X,Y, and Z directions
Impact resistance		Durability 500m/s <sup>2</sup> (about 50G) 3 times each in X,Y, and Z directions
Cable		φ3, 8 core shield cable AWG30 (Length 1m)
Mass		40g

## Receiver specification

Item	Type	MMS -10 -1024G1
Summy voltage		DC5V ±5%
Current consumption		60mA or less (110mA or less with encoder)
Data frequency		60μs (16.7kHz)
Output circuit		NPN open collector output
Output capacity		Sink current 20mA max. Load voltage 35Vmax. Residual voltage 0.4V or less
Logical		Negative logic (H=0,L=1)
Connection		Headerpin ( P.2.54) Power, Parallel signal output

## Dimensions of Encoder



## Receiver Dimensions

