

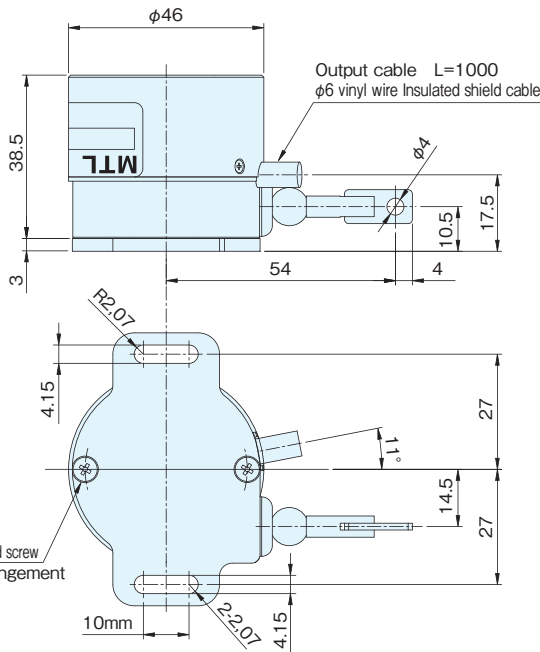
MLA-30 series

[Absolute]

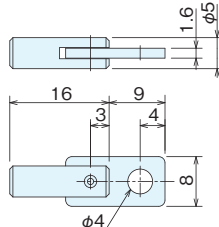
NEW



Outside dimensions

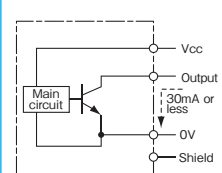


Detail of hook portion

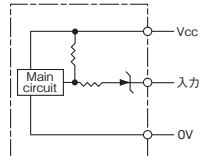


I/O circuit diagram

NPN open collector output



Rotating direction indication input circuit



Note) When input is open, CW increases count.
When input is 0V short, CCW increases count.

Specifications

Type name	MLA-30- <input type="text"/> - <input type="text"/> -90
Item	Pulse number Output code ●G=Gray code ●N=Pure binary code ●B=BCD code Supply voltage(1,5)
Supply voltage	1:DC5V±5% 5:DC12V-10%~24V+15%
Current consumption	100mA or less (under no load)
Output code	G:gray code N:pure binary code B:BCD code
Logic	Negative logic (H=0, L=1)
Output circuit	NPN open collector
Output capacity	Sink current 30mAmax, Residual voltage 0.5V (at 30mA)
Maximum response frequency	10kHz
measuring range	90mm
Output pulse number/mm	1,024 / 90 (G, N), 1,000 / 90 (B)
Minimum resolution	G (N): 0.088mm B: 0.09mm
Stroke speed	1000mm/sec max
Wire tensile force	150~300g
Working ambient temperature/humidity	0°C~+50°C / RH35%~90% (no dewing)
Storage ambient temperature	-20~+80°C
Vibration resistance	Durability 55Hz, double amplitude 1.5mm 2 hours each in X, Y, and Z directions
Impact resistance	50G 3 times each in X, Y, and Z directions
Cable	Outside dia. φ6 16-core vinyl wire Insulated shield cable (length:1m)
Mass	350g or less (excluding cable)

Connection

Code color	Output signal			Code color	Output signal		
	G	N	B		G	N	B
Brown	2 ⁰			Blue	2 ⁸		
Brown / Black	2 ¹			Blue / Black	2 ⁹		
Orange	2 ²			Purple	NC		
Orange / Black	2 ³			Purple / Black	NC		
Yellow	2 ⁴			Red / Black	— *Rotating direction indication input		
Yellow / Black	2 ⁵			Red	Vcc		
Green	2 ⁶			Black	COMMON		
Green / Black	2 ⁷			Black	COMMON		