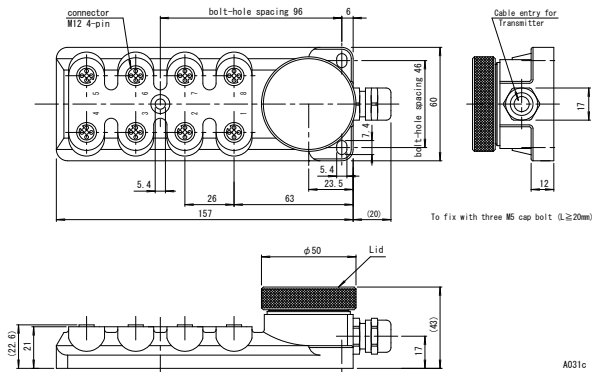
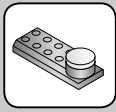


Terminal Box/Connector type for Exclusive proximity sensor type

Number of Detector	8 Detectors
--------------------	-------------



Type Code	RXD	RFK-8C01
LED		- - -
Material	Housing	Aluminum casting
	Cap	Machined aluminum
	Gascket	Viton
Protection class		IP67
Weight		500 g
Connection	Transmitter	12 pole screwless terminal block
	Detector	4 pole connector (M12 x 8)
Cable gland	Transmitter	PG9 x 1
Changeover switch		Exclusive proximity sensor RXD only
Mounting		M5 allen screw x 3



Accessory

Exclusive sensor

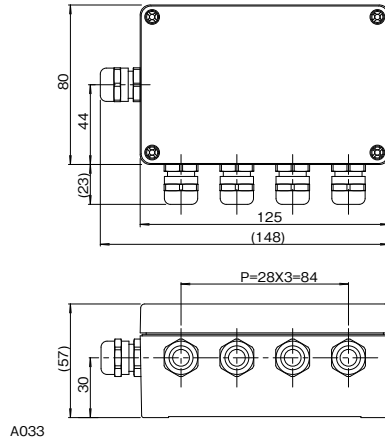
Terminal Box

- These products are the terminal box for connectiong Transmitter and Detector.
- The blank caps are supplied with the terminal box to seal unused connectors.
- Before use, please read the instructions in user's guide attached to products.

AC Conversion Amplifier

Unit for AC 2-wire sensor connection

RGPT4T converts the drive voltage from 24V DC of the transmitter (RGPT-9012) to 100V AC and supplies power to the connected AC 2-wire switches and also it outputs the detected signals to the transmitter.



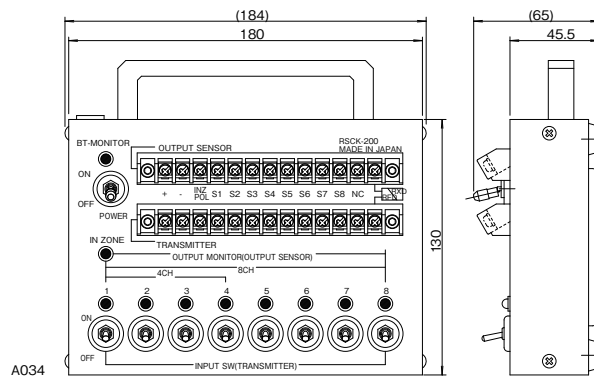
Type Code	RGP4T-AC100-KB02A
Applicable Transmitter	RGPT-9012-V2430-PU-_-
Number of Detectors	4*
Drive current	5...6mA per sensor
Drive voltage	100V AC (Pseudo sine wave)
Frequency of operation	20Hz
Material Body /Gasket	Aluminum die casting/Neoprene rubber
Operating temperature	0...+50°C
Protection class	IP65
Weight	600g
Cable gland for Detector	PG9X4 (Ø4...8mm)
Mounting	M4 allen screw x 2

*Corresponds to the input signals 1...4 of the transmitter.

Handy Checker

For checking the operating status of Transmitter or Output sensor

Note :
Not all Remote Sensors work with this checker. So please ask to salesperson before placing an order .



Type Code	RSCK-200
LED	Battery/InZone/Signal x 8
Material Housing/Battery box	Aluminum/ABS
Terminal block	13 pole x 2
Toggle switch	Power / 8 Input signal
Applicable Output sensor	Current consumption ≤ 400 mA
Applicable Transmitter	Using with above mentioned Output sensor as well as be able to use a mechanical sensor.
Supply voltage	24V DC ± 5%
Power supply Battery	Dry cell battery size AA 4x2=8 (for 30 minutes)
External	Required supply capacity ≥ 10 ... 24V DC 20 W
Operating temperature	0...+40°C