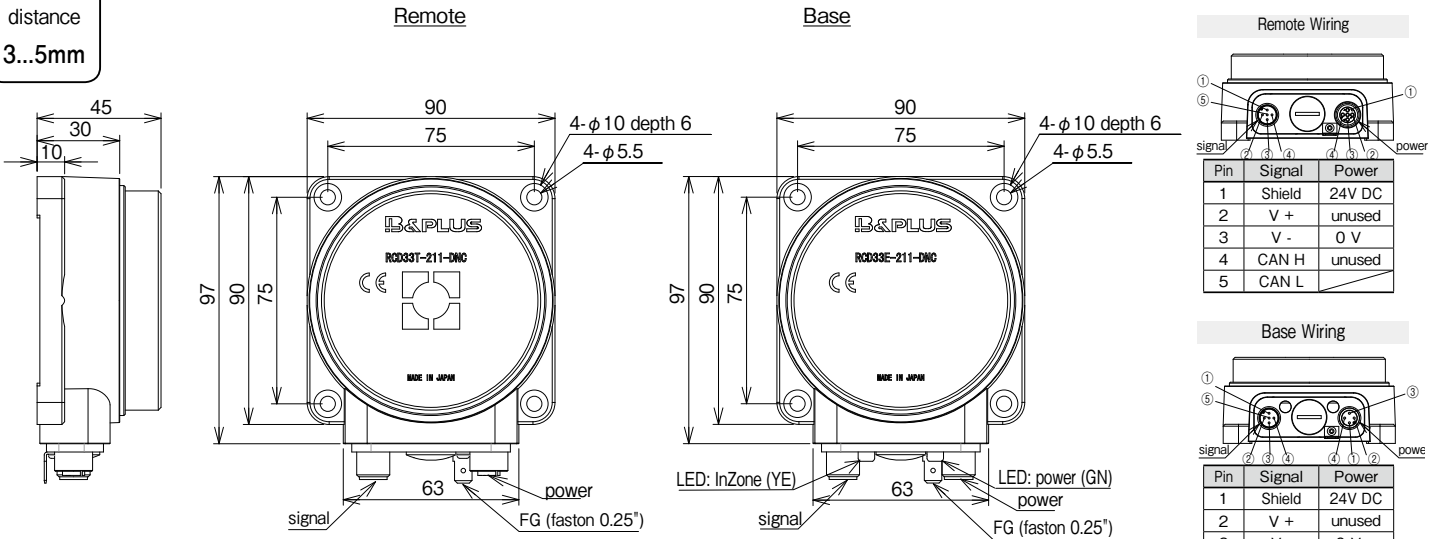


DeviceNet / Size : 97 x 90

Operating distance
3...5mm



Remote Wiring

Pin	Signal	Power
1	Shield	24V DC
2	V +	unused
3	V -	0 V
4	CAN H	unused
5	CAN L	

Base Wiring

Pin	Signal	Power
1	Shield	24V DC
2	V +	unused
3	V -	0 V
4	CAN H	unused
5	CAN L	

Remote	
Type Code	DeviceNet RCD33T-211-DNC
Drive voltage	24V ± 1.5V DC
Drive current	≤ 2A
Operating distance	3...5mm
Center offset	± 4mm
Drive current	≤ 2A
Operating temperature	0...+50°C
Protection class	IP 67
Connector	M12 / signal:5-pin (male), Power supply : 4-pin (female)
Material Housing	Aluminum + alumite processing (metal part)
Active face	ABS + PBT (resin part)
Weight	800 g
Included	Ferrite core clamp

Base	
Type Code	DeviceNet RCD33E-211-DNC
Operational voltage	24V DC ± 5% (incl. ripple)
Current consumption	≤ 3A
Communication signal	DeviceNet (CAN Bus)
Delay	≤ 0.5 μ sec.
Start up	≤ 2 sec.*
Operating temperature	0...+50°C
Protection class	IP 67
Connector	M12 / signal : 5-pin (male), Power supply : 4-pin (male)
Material Housing	Aluminum + alumite processing (metal part)
Active face	ABS + PBT (resin part)
Weight	800 g
Included	Ferrite core clamp

* It is the start up time of Remote system.
The start up time of DeviceNet is varied by the system.

Notes

- Communication speed is 125K...500K bps.
- Be sure to connect the terminal resistor on both ends of DeviceNet. Each two terminal resistors are required on Remote side and Base side. Termination resistor should be prepared by a user.
- Please prepare cable and connectors for wiring the system.
- It is recommended to install RCD33 in metal in order to reduce the influence of self-heating.

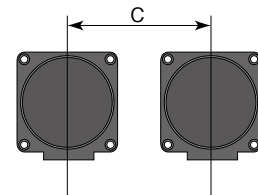
Installation notes

In order to avoid influence of surrounding metal, or to avoid mutual influence between parallel-mounted Remote and Base, keep the minimum distances as described below.

Surrounding metal

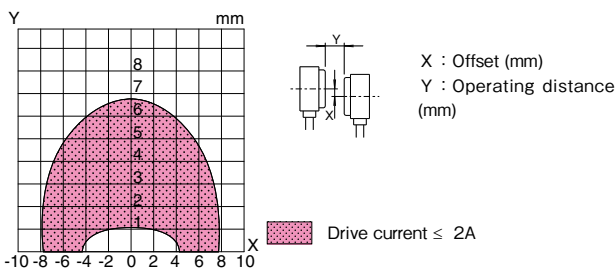


Parallel installation



Typical Transmitting Diagram (Supply voltage at 24V/non-flush mount)

RCD33T-211-DNC / RCD33E-211-DNC



Type Code	A(mm)	B(mm)	C(mm)
RCD33T-211-DNC	50	45	300
RCD33E-211-DNC			