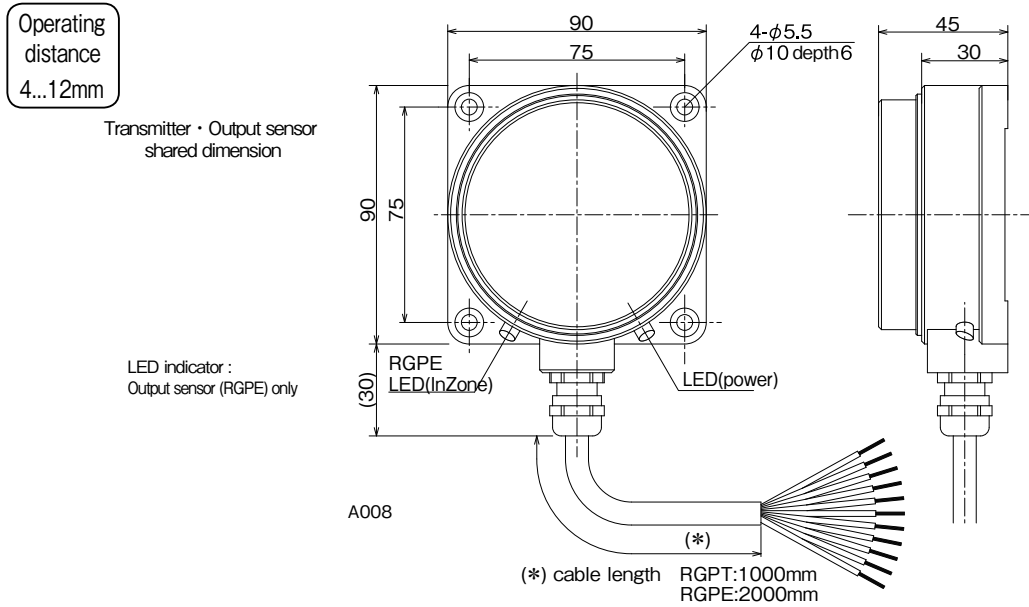


RPTA-80  
RPEA-80

RGPT-90  
RGPE-90

8  
signal

for max. 8 sensors / Size : 90 x 90



Wiring C004/P.115

Transmitter	
Type Code	NPN PNP RGPT-9012-V2430-PU-01
Drive voltage	24V ± 1.5V DC
Drive current	max.300mA
No. of input signal	8
Operating distance	4...12mm
Center offset	± 7mm
Drive current	≤ 300mA
Operating temperature	0...+50°C
Protection class	IP67
Cable	PUR / Ø7.7, 2x0.5mm <sup>2</sup> + 9x0.18mm <sup>2</sup>
Material Housing	Aluminum + alumite processing (metal part)
Active face	ABS+PBT (resin part)
Weight	Body 650 g + Cable 75g × 1 m
Remarks	The AC 2-wire sensor can be connected by the interchange conversion amplifier unit (P.110).

Output sensor	
Type Code	NPN PNP RGPE-9012-V2430N-PU-02 RGPE-9012-V2430P-PU-02
Operational voltage	24V DC ± 10% (incl. ripple)
Current consumption	≤ 1A
No. of output signal	8 +1(InZone)
Load current	max.50mA per output
Frequency of operation	60Hz
LED	InZone (Yellow) / Power (Green)
Operating temperature	0...+50°C
Protection class	IP67
Cable	PUR / Ø7.7, 2x0.5mm <sup>2</sup> + 9x0.18mm <sup>2</sup>
Material Housing	Aluminum + alumite processing (metal part)
Active face	ABS+PBT (resin part)
Weight	Body 650g + Cable 75g × 2 m
Remarks	

### Applicable sensor

Supply voltage	24V DC
Total current consumption*	≤ 300mA
Residual voltage	≤ 6V
Load current	---

\*Total current consumption of all connected sensor.

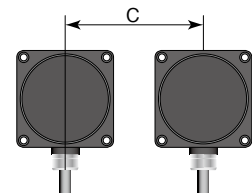
Please use a sensor which works definitely in the condition described on left.

### Installation notes

In order to avoid influence of surrounding metal, or to avoid mutual influence between parallel-mounted Transmitters or Output sensors, keep the minimum distances as described below.

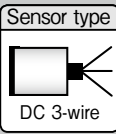
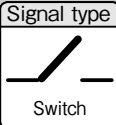
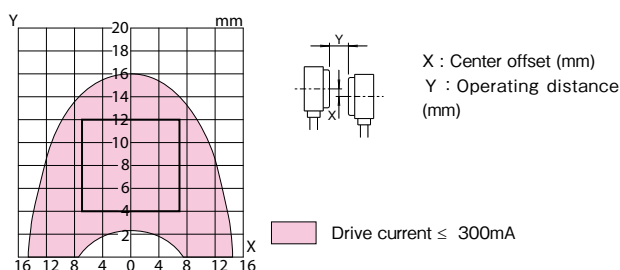
Surrounding metal

Parallel installation



### Typical Transmitting Diagram (Supply voltage at 24V/non-flush mount)

RGPT-9012-V2430-PU-\_\_ / RGPE-9012-V2430 □ -PU-\_\_



Remote  
Sensor

DC 3-wire  
detector type

DC 3-wire type  
Terminal unit

DC 2-wire  
detector type

DC 2-wire type  
Terminal unit

Exclusive  
detector type

Thermocouple  
type

Resistance  
thermometer type

Load cell type

Analog sensor  
type

Exclusive  
sensor

Terminal box  
other unit

Wiring

Products for  
maintenance

Special spec.

Alphanumeric  
product list

Type Code	A(mm)	B(mm)	C(mm)
RGPT-9012-V2430-PU-__	50	45	300
RGPE-9012-V2430 □ -PU-__			