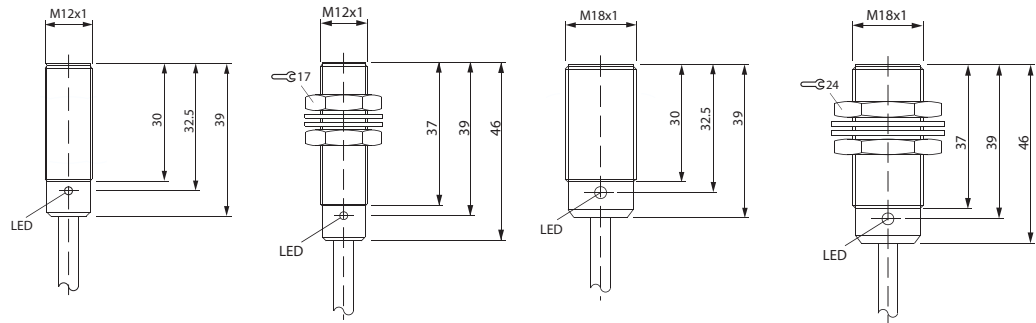
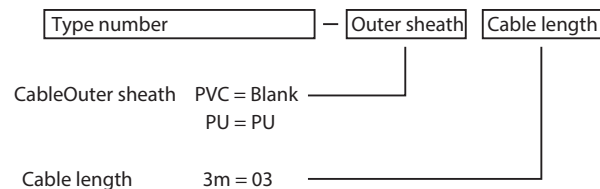


Housing size	M12 x 1	M12 x 1	M18 x 1	M18 x 1
Mounting type	Shield A	Shield A	Shield A	Shield A
Rated operating distance(Sn)	2mm	3mm	5mm	7mm
Assured operating distance(Sa)	0...1.6mm	0...2.4mm	0...4mm	0...5.6mm



Type number	DC2W N.O. N.C.	BT3-1202D BT3-1202D1	BR5T-1203F -	BT3-1805D BT3-1805D1	BR5T-1807F -
Rated operational voltage(Ue)		12...24V DC	12...24V DC	12...24V DC	12...24V DC
Supply voltage(Us)		10...30V DC	10...30V DC	10...30V DC	10...30V DC
Voltage drop(Ud)		=<3.5V	=<3.5V	=<3.5V	=<3.5V
Rated operational current(Ia)		4...100mA	4...100mA	4...100mA	4...100mA
Off-state current(Ir)		=<0.65mA	=<0.65mA	=<0.65mA	=<0.65mA
Circuit protection		Polarity, Short circuit	Polarity, Short circuit	Polarity, Short circuit	Polarity, Short circuit
-		-	-	-	-
Ambient temperature range(Ta)		-25...+70degrees C	-25...+70degrees C	-25...+70degrees C	-25...+70degrees C
Frequency of operation(f)		800Hz	400Hz	500Hz	200Hz
LED indication		Function	Function and Setting	Function	Function and Setting
Protection class per IEC60529		IP67	IP67	IP67	IP67
Material	Housing	PTFE coated brass	PTFE coated brass	PTFE coated brass	PTFE coated brass
	Active surface	PTFE	PTFE	PTFE	PTFE
	Nut	-	Nickel plated brass	-	Nickel plated brass
Connection		Cable	Cable	Cable	Cable
Cable	Outer sheath	PVC	PVC	PVC	PVC
	Diameter/core	Φ 5mm / 2 x 0.5mm ²	Φ 5mm / 2 x 0.5mm ²	Φ 5mm / 2 x 0.5mm ²	Φ 5mm / 2 x 0.5mm ²
	Length	2m,3m,5m	2m,3m,5m	2m,3m,5m	2m,3m,5m
Remarks		Teflon nut is available optionally.	Cable with connector type is also available	Teflon nut is available optionally.	Cable with connector type is also available

*In ordering, please specify cable specification (outer sheath and length) as following example.



Ordering example (PVC cable 3m)

BT3-1202D-03