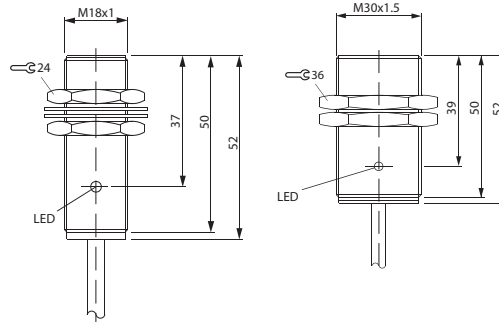
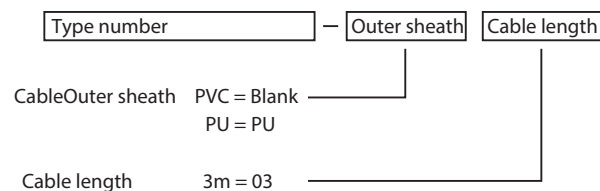


Housing size	M18 x 1	M30 x 1.5	-	-
Mounting type	Shield A	Shield A	-	-
Rated operating distance(Sn)	4mm	8mm	-	-
Assured operating distance(Sa)	0...3.2mm	0...6.4mm	-	-



Type number	AC2W N.O. N.C.	BN3-1804Y -	BN3-3008Y -	-	-
Rated operational voltage(Ue)	100...225V AC/40...60Hz	100...225V AC/40...60Hz	100...225V AC/40...60Hz	-	-
Supply voltage(Us)	90...250V AC/40...60Hz	90...250V AC/40...60Hz	90...250V AC/40...60Hz	-	-
Voltage drop(Ud)	=<8.5V	=<8.5V	=<8.5V	-	-
Rated operational current(Ia)	5...250mA	5...250mA	5...250mA	-	-
Inrush current (T=<20ms)	2A	2A	2A	-	-
Off-state current(Ir)	=<1...3mA	=<1...3mA	=<1...3mA	-	-
Circuit protection	No	No	No	-	-
Ambient temperature range(Ta)	0...+50 degrees C	0...+50 degrees C	0...+50 degrees C	-	-
Frequency of operation(f)	5Hz	5Hz	5Hz	-	-
Function indication	Yes	Yes	Yes	-	-
Protection class per IEC60529	IP67	IP67	IP67	-	-
Material	Housing	Nickel plated brass	Nickel plated brass	-	-
	Active surface	Poly Propylene	Poly Propylene	-	-
Connection	Cable	Cable	Cable	-	-
Cable	Outer sheath	PVC	PVC	-	-
	Diameter/core	Φ 5mm / 2 x 0.5mm ²	Φ 5mm / 2 x 0.5mm ²	-	-
	Length	2m,3m,5m	2m,3m,5m	-	-
Remarks					

*In ordering, please specify cable specification (outer sheath and length) as following example.



Ordering example (PVC cable 3m)

BN3-1804Y-03