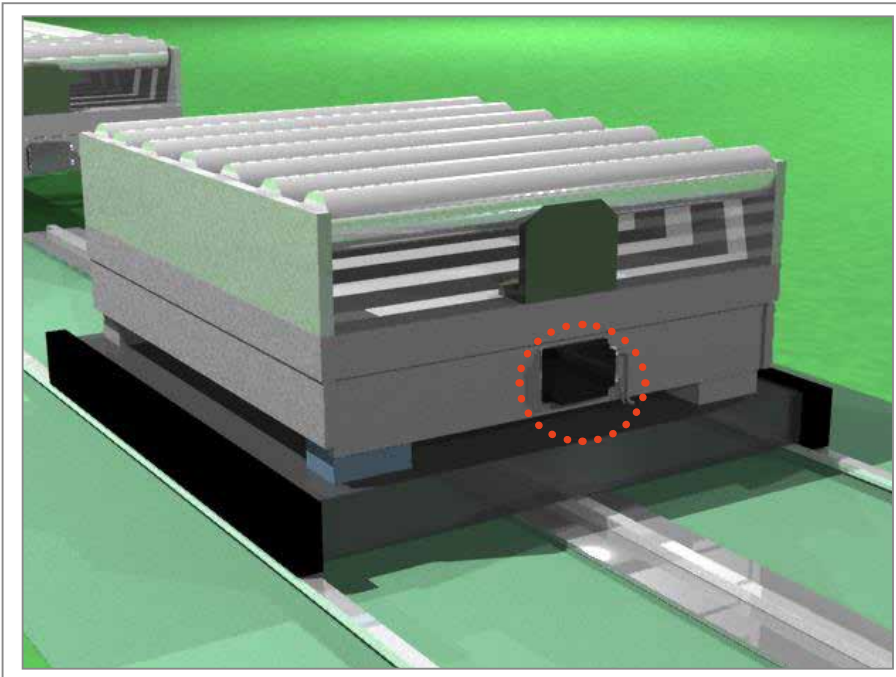


Supply power to Moller (Mortor driving roller)



Problems

- Cable installation space is limited and cable breakage often occurred.
- In the case of a charging battery, it takes time for charging and exchanging battery.
- In the case of operation outside of working hour, the operation could be stopped due to charging shortage.

Solution



Remote system

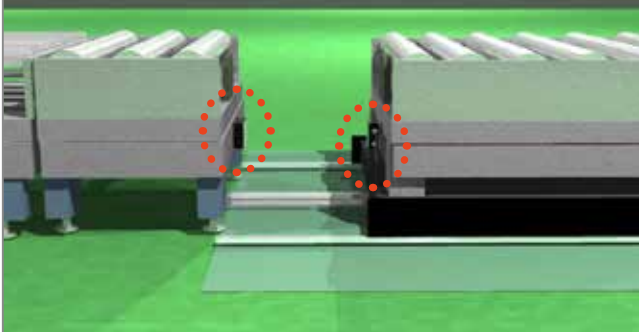
Advantages

- Installation space became unlimited
- Cable trouble improved due to wireless
- Reduce worktime because it became unnecessary to change the battery.
- Time for charging became unnecessary.
- Continuous operation for 24 hours become possible by automatic charging

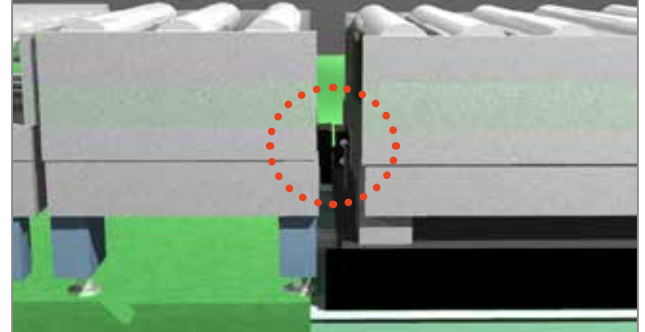
Application

- ① Attached Base part to A and B (Fixed part)
- ② Attached Remote part to both end of traverser.

Attached Base part to A and B (Fixed part) and Remote part to both end of traverse.



When it stopped, power is supplied to the moller wirelessly or charge power to the battery.



Construction of devices

