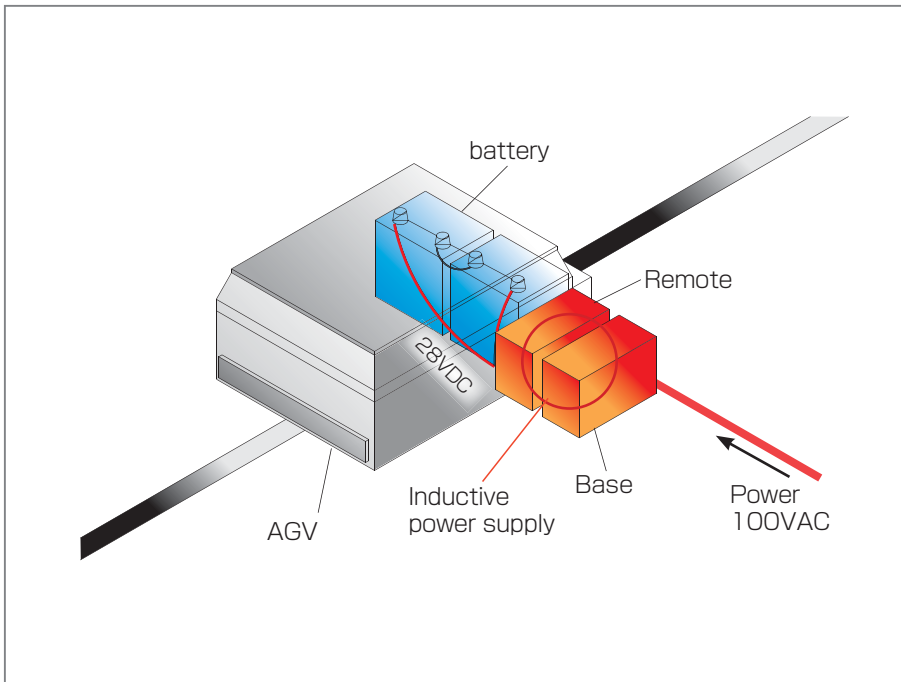


Non-contact charging of batteries



Previous problems

- Desire to eliminate battery change-outs during operation hours.
- Desire to extend interval of the battery charges.



After improvement

- Eliminated need for battery change-outs. Extended interval of full charging, improved efficiency.
- No exposed terminals, no risk to operators.

Application
The battery of AGV units are partly charged during the waiting time at stops.

