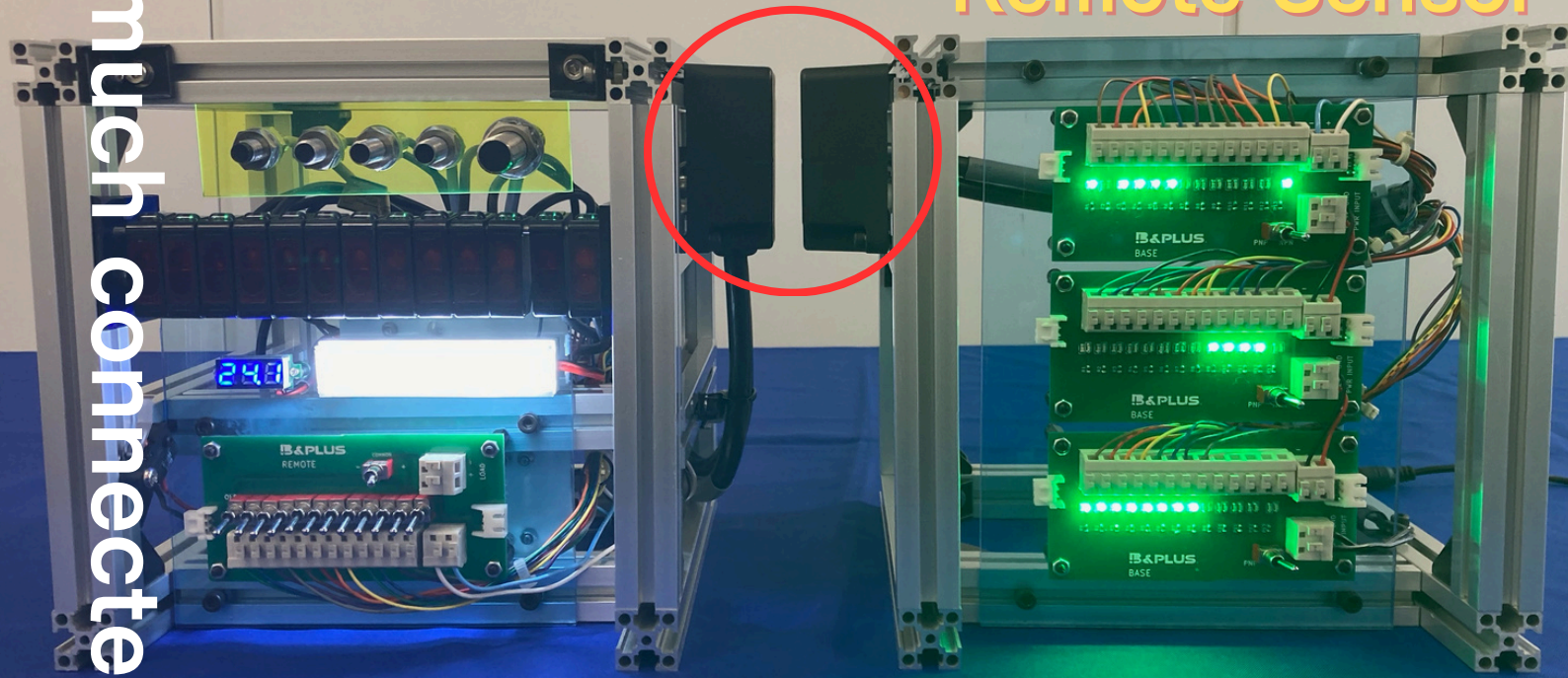


Too much connected! So surprise 32ch. Trans.

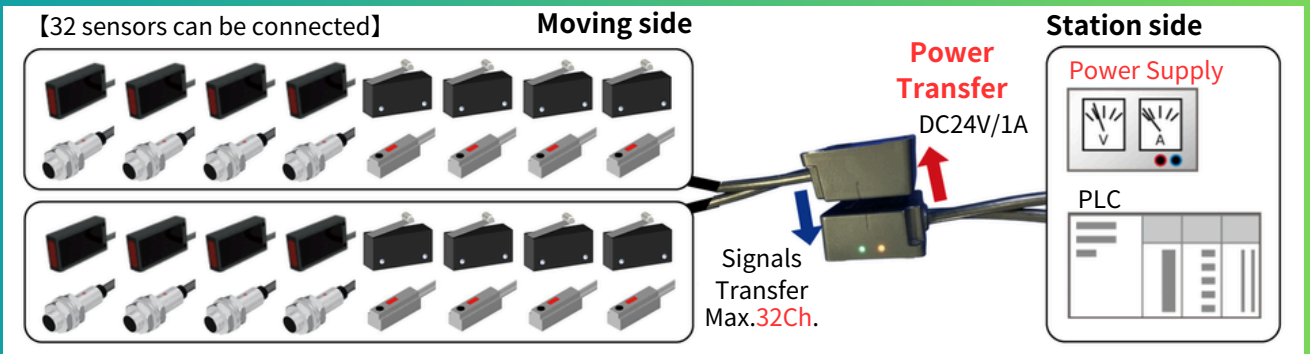
32ch. Transfer

Remote Sensor

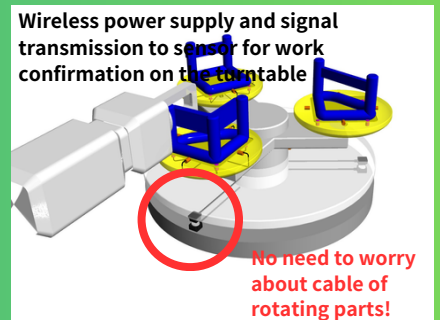
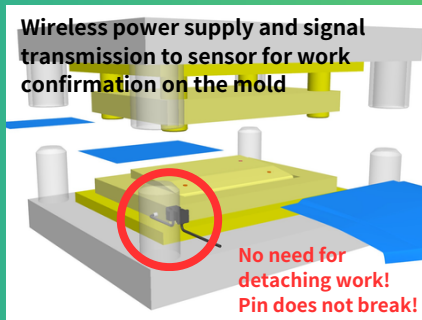


Wireless Power Supply 24VDC/1A + 32ch. Signal Transfer (Input)

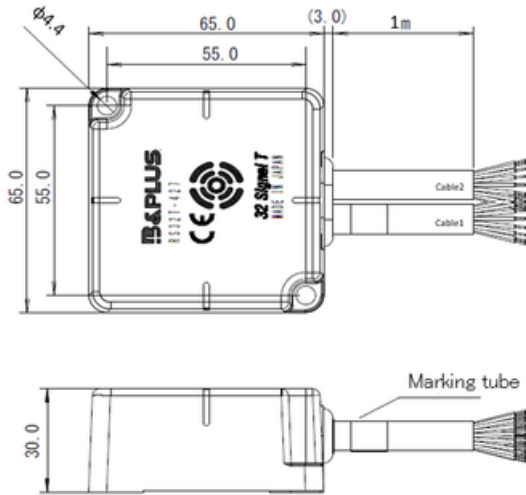
◎ Max.32ch. Signals Transfer as 1 pair !



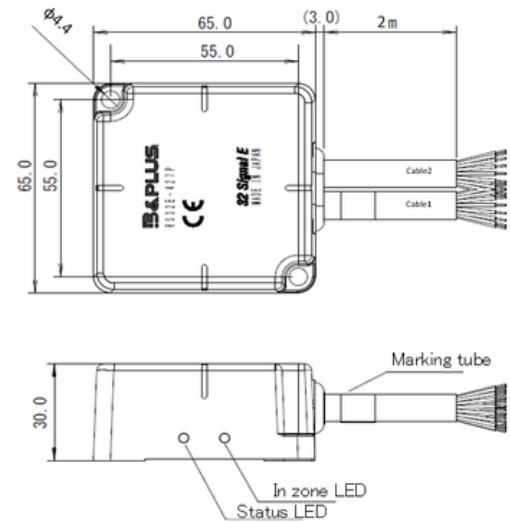
◎ Solve the connector trouble at machine !



Remote unit



Base unit



Type	RS32T-427-PU-01 ※Applicable sensor :DC 3-wire sensor
Output voltage	24V ± 1.5V DC
Output current total	≤ 1A
Operating distance	0...4mm (1A) 0...6.5mm (0.5A)
Center offset(1A)	± 5.0mm(Transmission distance is within 3mm) ± 2.5mm(Transmission distance 3...4mm)
Center offset(0.5A)	± 7.5mm(Transmission distance is within 45mm) ± 3.0mm(Transmission distance 4.5...6.5mm)
Protection circuit	-
Spec. Number of signals of input	32 (SI1...32)
Input type	NPN(POL=+) / PNP(POL=-)
Voltage between Input and GND	≥ 16V
Off voltage	≤ 6V
Operating temperature	0...+50°C
Protection class	IP67
Maximum cable length	5m
Weight	Body 210g + Cable 220g/m
Certificate regulation	Weak radio in Japan, .CE

Type	NPN PNP	RS32E-427N-PU-02 RS32E-427P-PU-02
Supply voltage		24VDC ± 5%
Current consumption		Active: Max.1.5A(with 1A output) static: Max.0.1A(when not facing)
Spec. Number of signals of output		32(SO1...32) + 1(In zone)
Output type		NPN / PNP
Load current		≤ 50mA / 1output
Residual voltage		≤ 1.5V
Leakage current		≤ 0.08mA
Frequency of operation		150Hz
Protection circuit		Polarity reversal, Overheat, Short circuit, Output surge absorption, Over current, Metal facing protection*1
Operating temperature		0...+50°C
Protection class		IP67
Maximum cable length		5m
Weight		Body 210g + Cable 220g/m
Certificate regulation		Weak radio in Japan, .CE

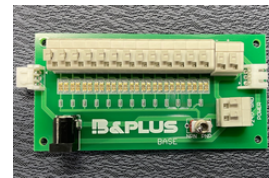
*1) Metal protection is function to prevent metal heat generation when facing metal, and is not guaranteed to work on all metals. Do not intentionally place metal against the communication surface

Selection of Remote sensor Compact series

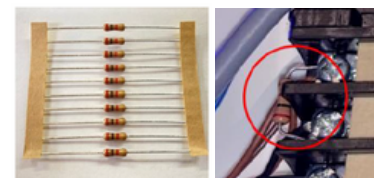


Applicable Options

● LED unit for Base unit
Type : RS-CKB-BASE(12ch.)
※ Possible to joint



● Register (10pcs/set)
Type : RGPT-RKIT
※ Needs for using 2 wire sensors



Wireless Power Supply by
B & PLUS K.K.

Mail : bp-tech@b-plus-kk.jp

Web : <https://www.b-plus-kk.jp/>

- Please be sure to download from the website and check it, when you consider or use.
- Specifications and other contents may change without notice. Please note.